

↳ SPRINT 3000 Bookletmaker

Jogs, staples, and folds in one operation. Quick and easy set-up and adjustment. Variable speed produces booklets up to 100 pages (off-line).* 2 stapling heads, 4 stapling positions. Uses 210-staple sticks. Powered exit conveyor. Transparent safety access cover—machine will not operate with cover in open position.

Mounted on heavy-duty casters. Optional interface for on-line use with the MBM® FC 10. Optional face trimmer.

Dimensions (D x W x H): 23 x 46 x 36 inches (20 W with conveyor stored),
Shipping weight: 280 lbs.



SAFETY ACCESS COVER



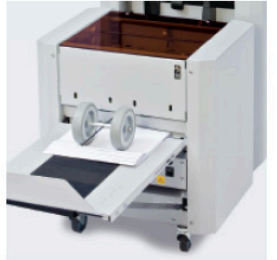
The transparent safety access cover will not allow machine to operate when open.

POWERED CONVEYOR



A powered exit conveyor stacks booklets neatly and folds away for compact storage.

OPTIONAL TRIMMER



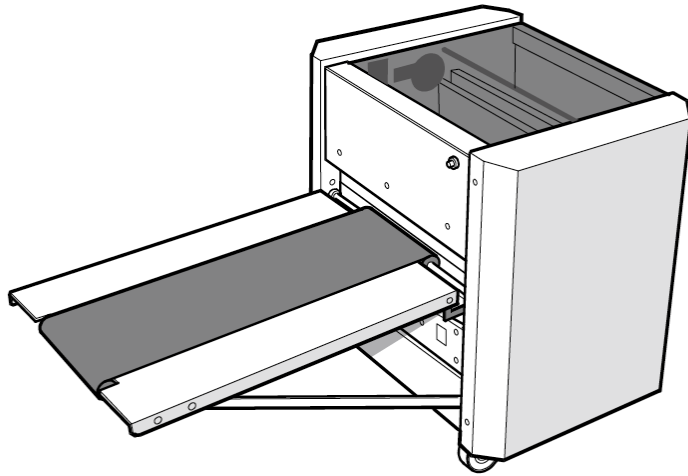
An optional face trimmer trims booklets up to 100 pages.*

↳ SPRINT 3000

Speed	1,500 sets/hr*
Sheet capacity	25*
Paper size	5 1/2" x 8" to 12" x 18"
Power supply	115 V, 60 Hz

* may vary due to variations in paper and power supply

SPRINT TRIMMER



TRIMMER SPECIFICATIONS:

Max. Cutting Height: 50 sheets of 80 GSM bond

Book Sizes: 5½" x 4¼" to 11" x 8½"

Dimensions: Width: 22½"
Height: 24½"
Length: 19¼" (Conveyor stored)
Length: 40" (Conveyor in use)

Weight: 185.2 Lbs.

Power: 110v 60Hz
Consumption approx. 180 Watts
Fuse: Mains inlet - 10 amp 110 V.
24 Vdc power supply - 2.5 amp 110 V
